

The image shows a close-up of BARCH motion components, including a black motor with a blue handle and a silver shaft. The BARCH logo is visible on the motor. The background is a dark, blurred image of the same components.

BARC

DIGITAL CATALOG

BCH SERIES

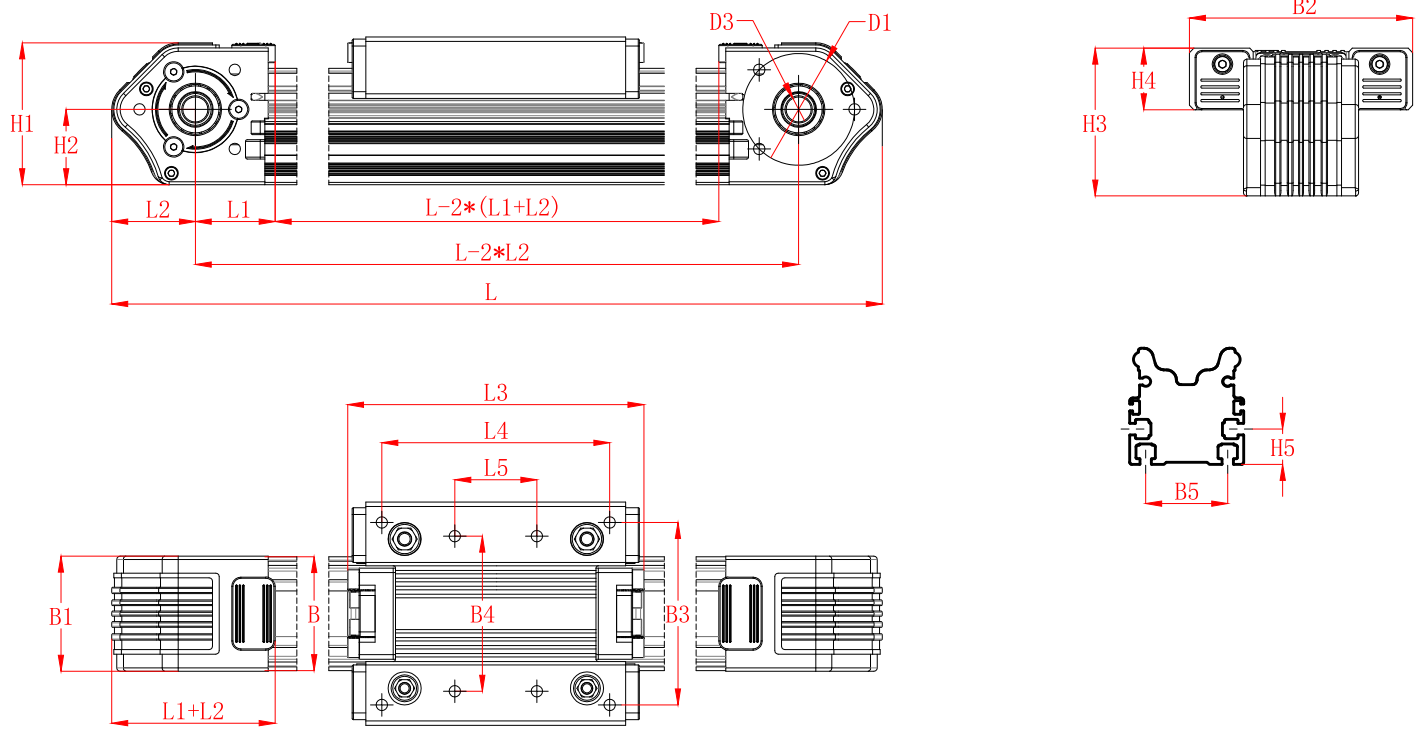
With a robust profile body made of aluminium alloy and stainless steel this model offer a maximum load capacity of 10 kilograms with an accuracy of 0.05mm. with a customizable size, this rail is 100% assemble and processed in CNC machines.

MOST COMMON APPLICATIONS FOR BCH SERIES

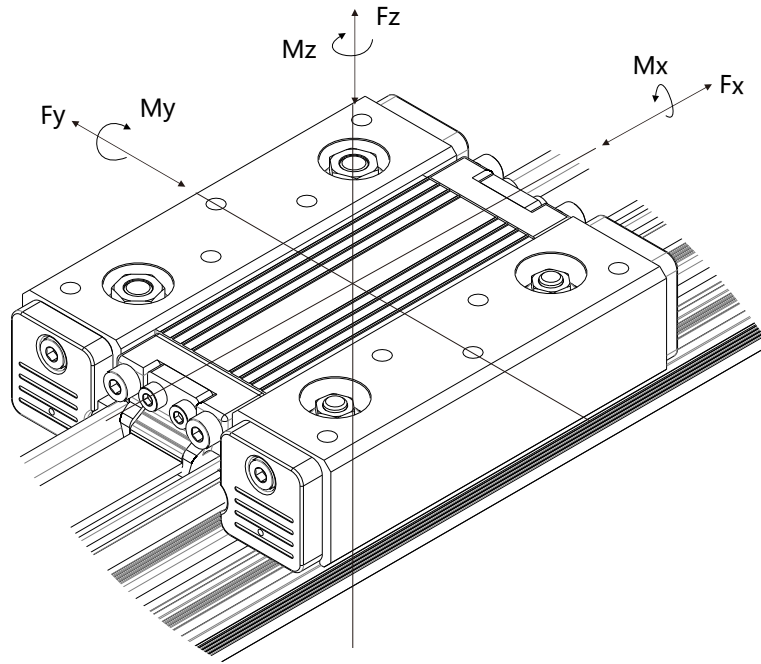
- Small-scale material handling
- Time-lapsed camera dolly
- Lab testing
- Pharmaceutical motion
- Orange juice dispenser
- Vending dispenser
- Packing machines
- Glue dispenser
- 3D machines
- Small gantry system
- Food processing motion

CONTACT US

Email: Contact@barchmotion.com
Telephone: Hong Kong 852 9668 2356
Telephone: Germany 07191/9136976
www.barchmotion.com



Model		BCH35-03	BCH40-10
Length (mm)	L1	21	28.5
	L2	21	28
	L3	101	110
Width (mm)	B	38	40
	B1	41	40.5
	B2	75	90
Height (mm)	H1	33	53
	H2	15	27
	H3	34	59
	H4	24	27
Carriage Bolt	L4	68	85
	L5	20	28
	B3	60	75
	B4	53	50
	Thread	M5	M5
Profile Body Nut Groove	H5	/	13.5
	B5	22	27
	Square Nut	M5	M5
shaft	shaft Diameter D3	5/8	11
End Block	Pitch Circle D1	/	36
	Bolt	M5	M5
	Applicable motor	NEMA 17 stepper/ NEMA 17 gear motor	NEMA 23 stepper/ 200w servo/ 400w servo



No	Parameter/ model		BCH35-03	BCH40-10
1	Profile size (W x H)	mm	35 x 24	40 x 40
2	Max stroke	mm	1350	3700
3	Max rail length	mm	1500	4000
4	Rated load	KG	3	10
5	Pitch	mm	54	75
6	Belt width	mm	8	15
7	Positioning repeatability	mm	±0.08	±0.08
8	Belt Expansion	(%)	0.18	0.18
9	Max Speed	m/s	3	4
10	Max acceleration	m/s ²	20	20
11	Torque	Nm	3	3.5
12	Fx max	N	100	200
13	Fy max	N	50	70
14	Fz max	N	40	56
15	Mx max	Nm	1.48	2.072
16	My max	Nm	2.2	3.08
17	Mz max	Nm	2.2	3.08
18	Working temperature	°C	-10 ~ +60	-10 ~ +60
19	First meter rail weight	KG	1.95	2.82
20	Continued meter per 100mm	KG	0.12	0.35
21	Toothed Belt		HTD3M	HTD3M
22	Application Type		low-load low-speed single-rail application	low-load high-speed flexible motor position